



Technical Data

For detailed data and product description refer to the data sheets at www.pepperl-fuchs.com

General Data

Rated operating distance	10 mm
Installation	non-flush
Type of voltage	DC
Operating voltage	10 ... 30 V DC
No-load supply current	≤ 15 mA
Reverse polarity protection	✓
Switching frequency	0 ... 600 Hz
Operating current	0 ... 200 mA , above 70°C ≤ 150 mA
Short-circuit protection	pulsing
Indication of the switching state	LED, yellow
Ambient temperature	-25 ... 85 °C (-13 ... 185 °F)
Housing material	brass, nickel-plated
Protection degree	IP67

Properties

- Ø12 mm housing
- 10 mm, non-flush mountable
- DC, 3-wire switching output
- Cable and connector versions

Model Number

Switching element function	green = preferred type		NEN10-12GM50-E0	NEN10-12GM50-E1	NEN10-12GM50-E2	NEN10-12GM50-E3	NEN10-12GM50-E0-V1	NEN10-12GM50-E1-V1	NEN10-12GM50-E2-V1	NEN10-12GM50-E3-V1
	NPN	NO								
	NPN	NC								
	PNP	NO								
Connection type	Device connector M12 x 1 , 4-pin		cable PUR , 2 m							
	cable PUR , 2 m									

Approvals and Certificates

UL approval	cULus Listed, General Purpose
CCC approval	Products with a maximum operating voltage of ≤36 V do not bear a CCC marking because they do not require approval.

Dimensions

Length L [mm]	50	60
Diameter D [mm]		12
Thread length l _t [mm]	44	34
Cap length l ₁ [mm]		5,7
Connector area l _c [mm]	0	6
LED position	Pos. A	

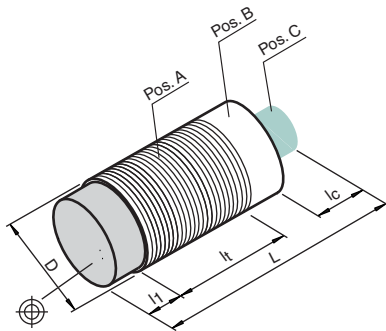
Accessories

This and more accessories can be found in chapter 10

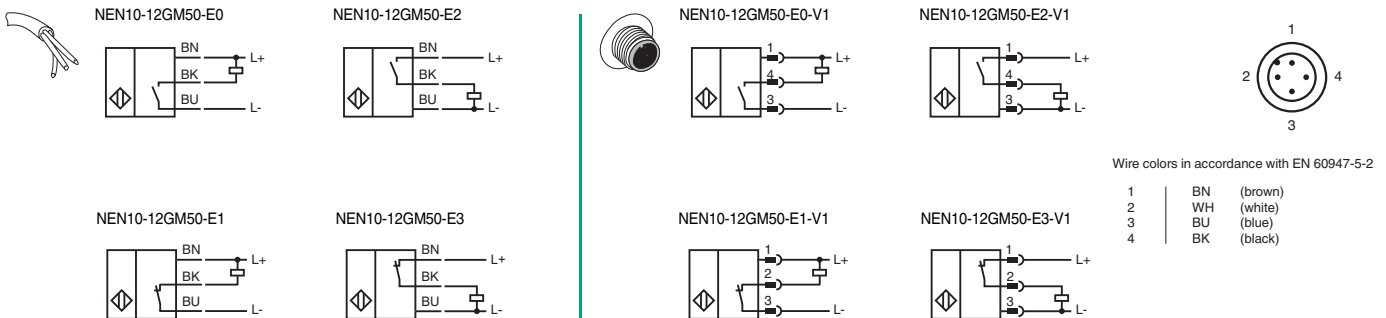
See pages from 972 ... for cordsets

See pages 1068 ... for mounting aids

- BF 18** Mounting flange, 18 mm
- EXG-12** Quick mounting bracket with dead stop
- BF 12** Mounting flange, 12 mm
- EXG-18** Quick mounting bracket with dead stop
- V1-G-BK** 4-pin, M12 female field-attachable connector
- V1-W-BK** 4-pin, M12 female field-attachable connector
- V1-G-2M-PUR** Cable socket, M12, 4-pin, PUR cable
- V1-W-2M-PUR** Cable socket, M12, 4-pin, PUR cable



Electrical Connection



Date of issue 04/08/2015

Refer to "General Notes Relating to Pepperl+Fuchs Product Information".

Pepperl+Fuchs Group
www.pepperl-fuchs.com

USA: +1 330 486 0001
fa-info@us.pepperl-fuchs.com

Germany: +49 621 776 4411
fa-info@de.pepperl-fuchs.com

Singapore: +65 6779 9091
fa-info@sg.pepperl-fuchs.com

Courtesy of Steven Engineering, Inc - (800) 258-9200 - sales@steveng.com - www.stevenengineering.com